

ISS	DRWN	CHANGE	CHKD	APPD	DATE	CN#
1	SJ	ORIGINAL	SJ	GL	19/01/22	
2	AB	REAR DRAINAGE DUCT ADDED	AB	GL	19/08/2023	10935

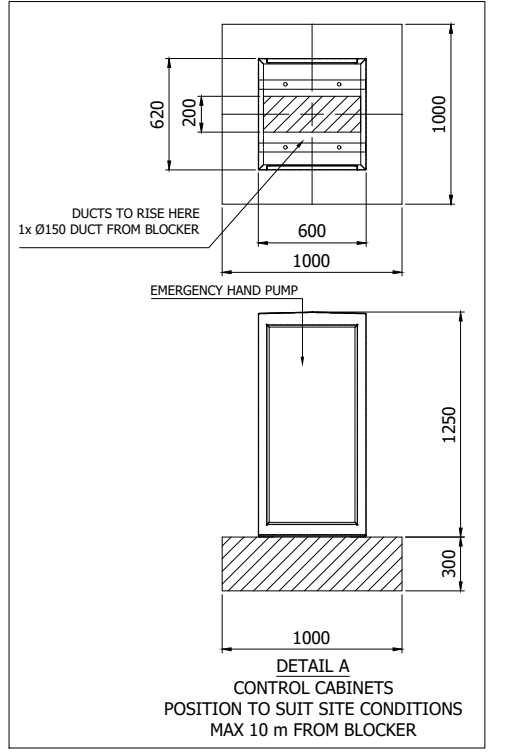
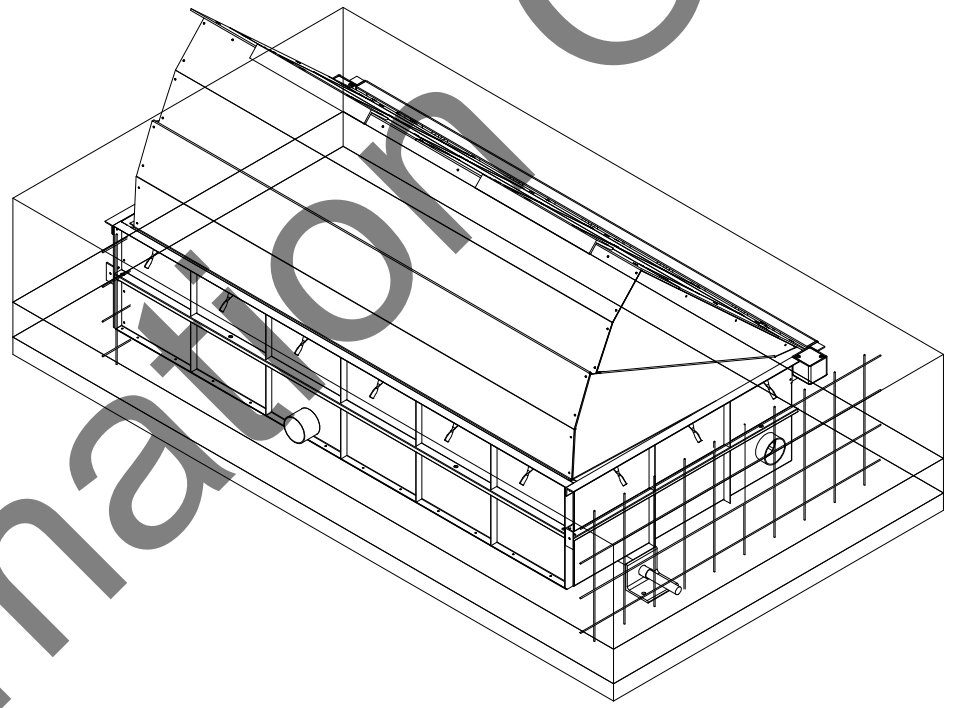
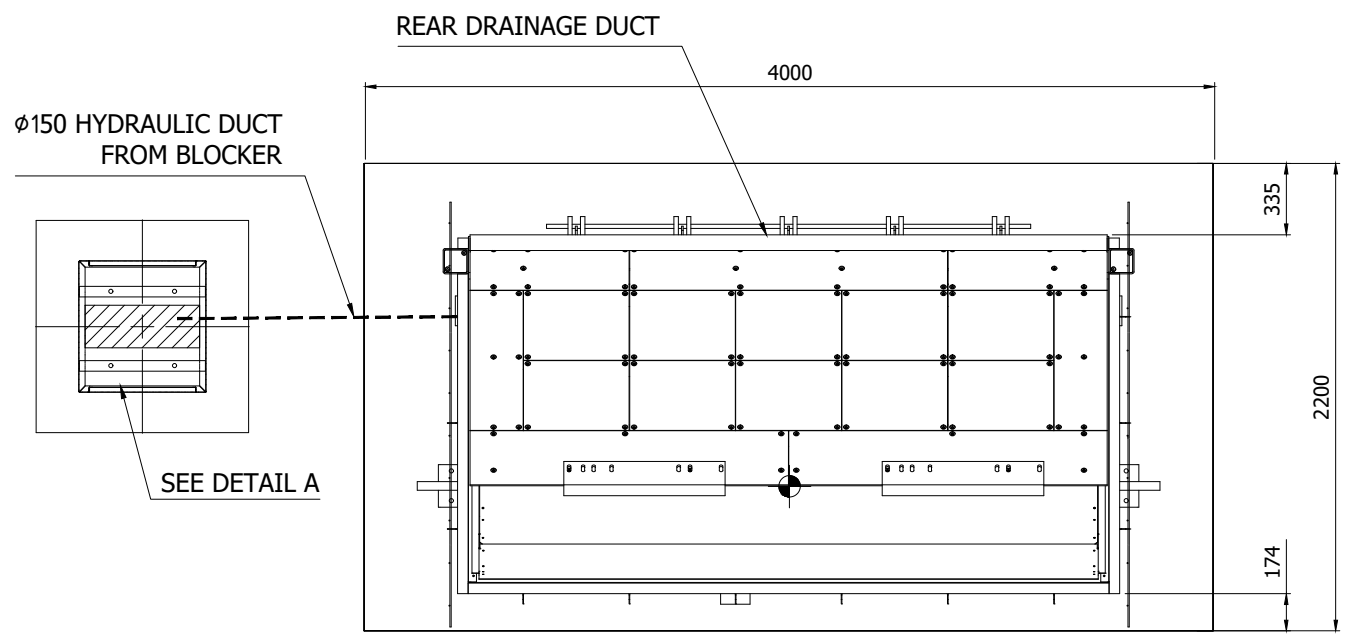
Other widths available
Please contact Technical Sales
Department on 01293422800 or
sales@frontierpitts.com

CONCRETE SPECIFICATION

CONCRETE DESIGN TO BS EN 206:2013 & BS EN 8500-1:2015

CEMENT ACCORDING TO BS EN 197-1:2011
AGGREGATE ACCORDING TO BS EN 12620:2013
MAX SIZE OF AGGREGATE 20mm
CONCRETE TO GRADE C-30
WATER-CEMENT RATIO 0.60
MIN. CEMENT CONTENT 280KG/M³

ALLOW CONCRETE TO CURE FOR 7 DAYS MINIMUM
GROUND TO BE COMPACTED AND LEVEL



DIMENSIONS IN MILLIMETERS

SCALE NTS TOLERANCES ISO 2768-m,k

THIRD ANGLE PROJECTION

THE INFORMATION CONTAINED IN THIS DRAWING IS CONFIDENTIAL AND MAY NOT BE PASSED IN WHOLE OR IN PART TO THIRD PARTIES WITHOUT THE PERMISSION OF FRONTIER PITTS LTD.



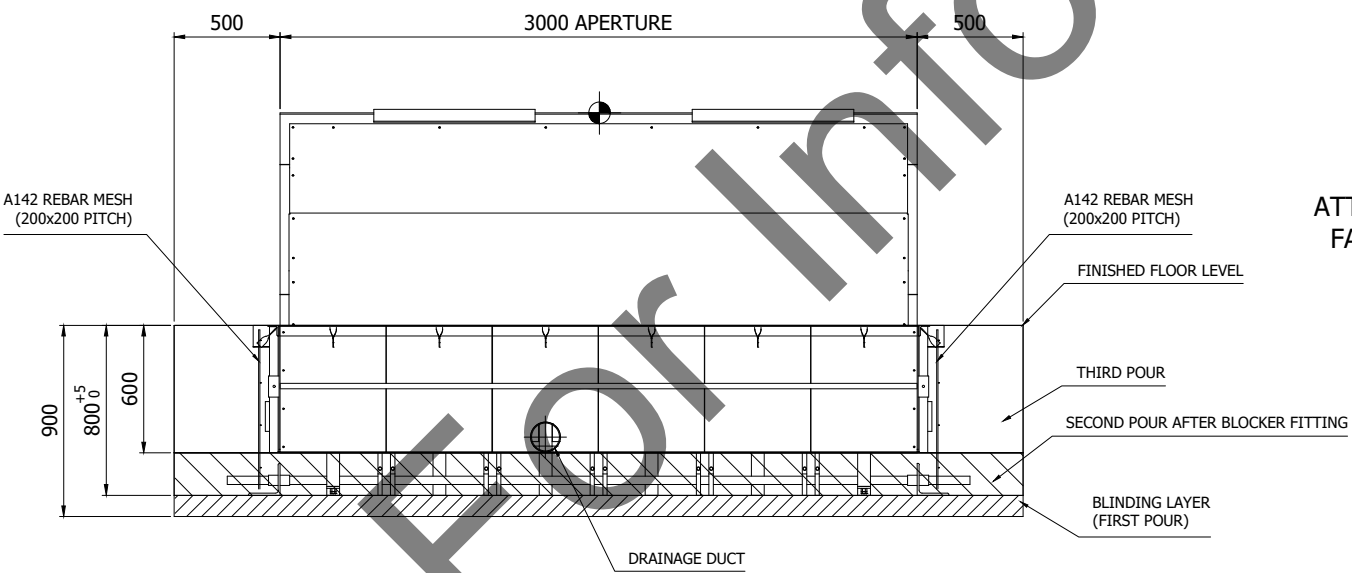
FRONTIER-PITTS LTD
CROMPTON HOUSE, CROMPTON WAY,
CRAWLEY, WEST SUSSEX. RH10 9QZ
ENGLAND
Telephone :- 44 (0) 1293 548301
Fax :- 44 (0) 1293 560650
e-mail: contracts@frontierpitts.com
web site: www.frontierpitts.com

CONTRACTOR
FRONTIER PITTS LTD.

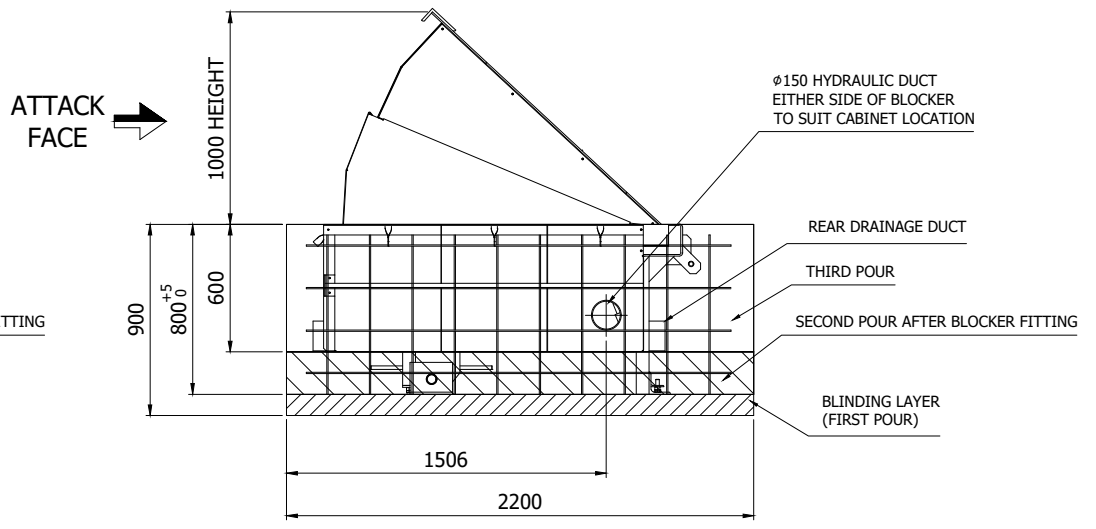
SITE
3m TERRA BLOCKER

ATTB-80 MKIII

INSTALLATION DETAILS



VIEW FROM ATTACK FACE



SIDE VIEW

ALL ANGLES ARE PERPENDICULAR UOS
CONSULT DESIGN OFFICE IF ROADWAY IS NOT LEVEL TO ±10mm

DRAWING NUMBER	ISSUE
6885-03	1