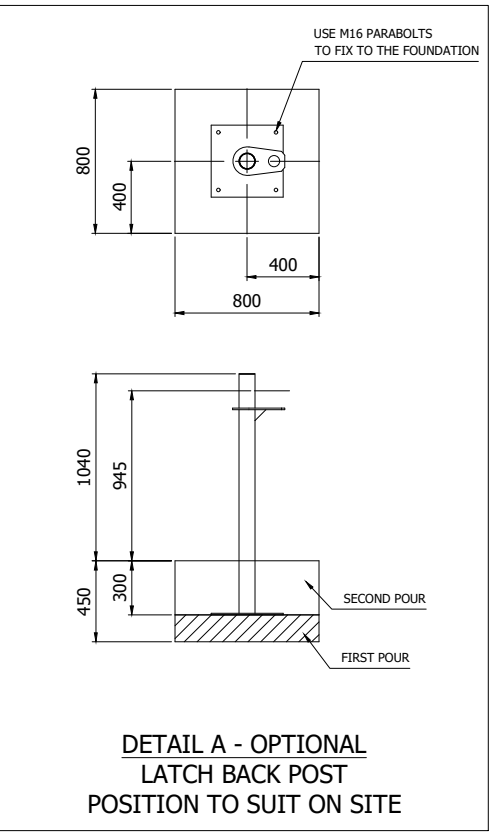


A
B
C
D
E
F
G
H

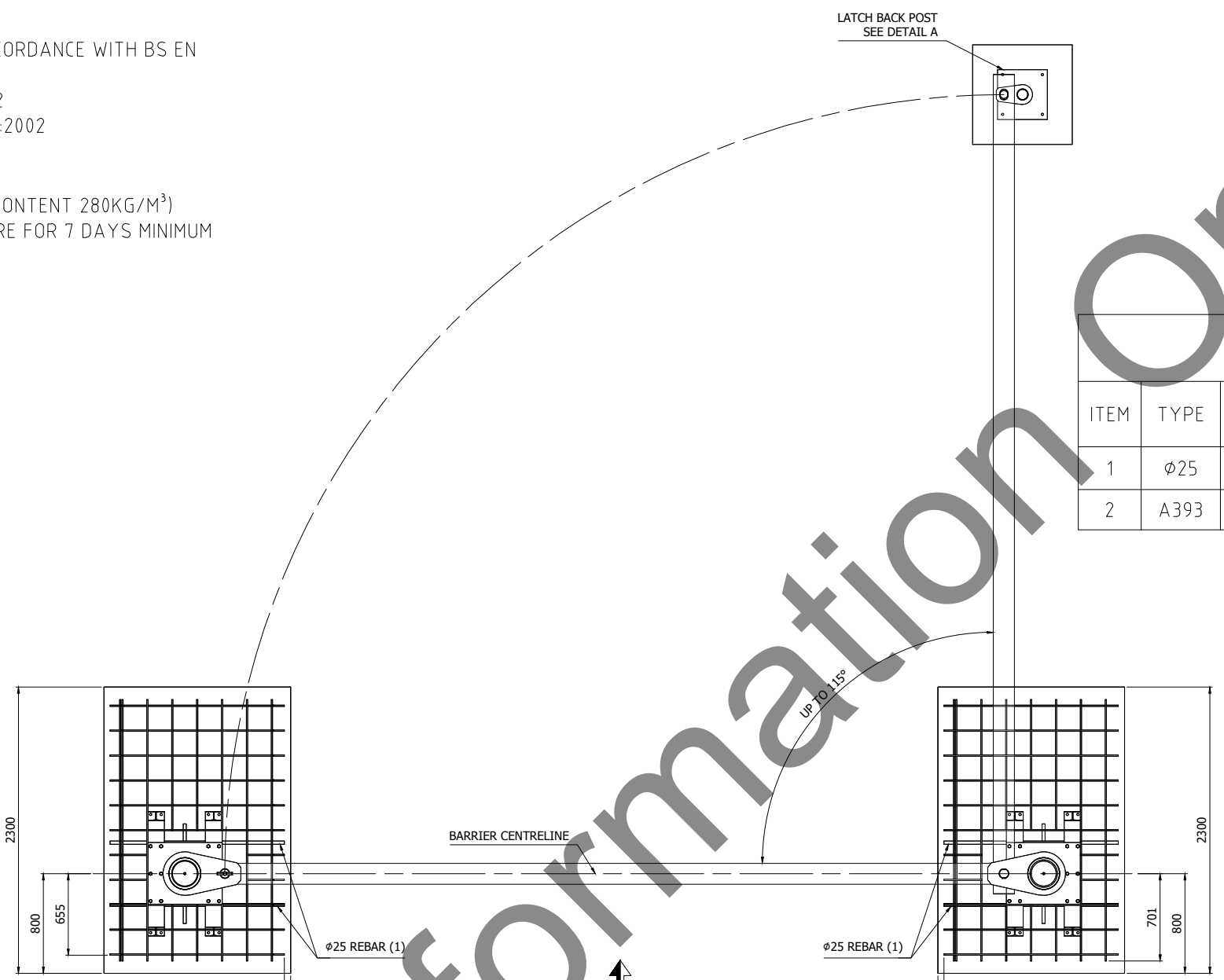
CONCRETE SPECIFICATION

- CONCRETE TO BE A DESIGNED MIX IN ACCORDANCE WITH BS EN 206-1:2000 AND BS EN 8500-1:2006
- CEMENT ACCORDING TO BS EN 197-1:2002
- AGGREGATE ACCORDING TO BS EN 12620:2002
- MAX SIZE OF AGGREGATE - 20mm
- CONCRETE GRADE - C30
- WATER-CEMENT RATIO - 0.60 (CEMENT CONTENT 280KG/M³)
- ALLOW EACH POUR OF CONCRETE TO CURE FOR 7 DAYS MINIMUM



INSTALLATION PROCEDURE:

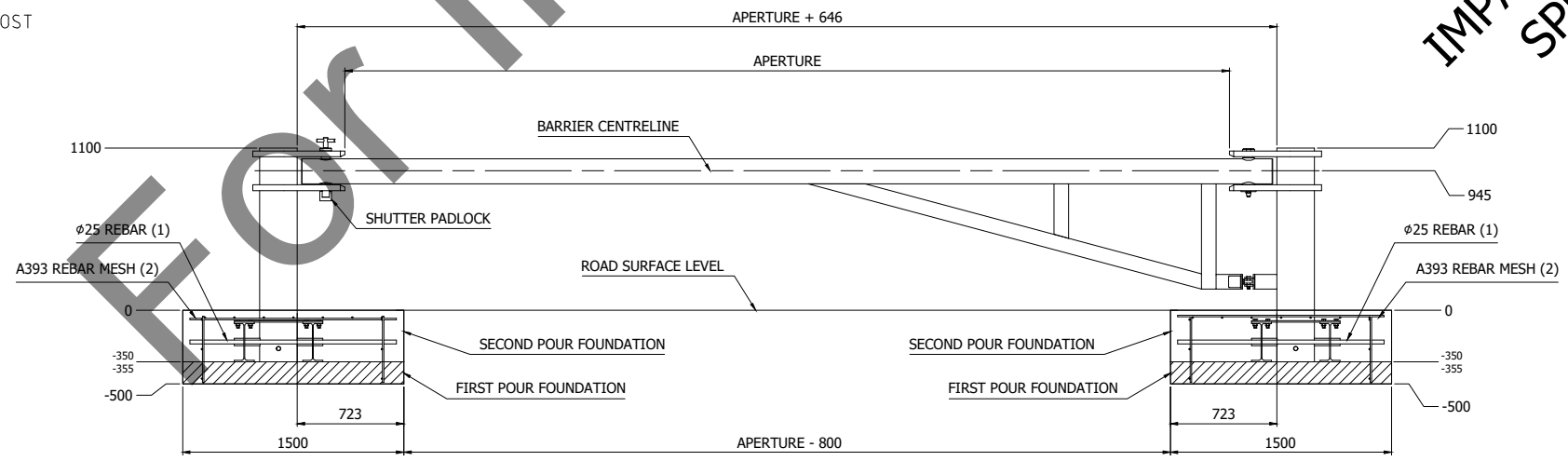
1. REFER TO OTHER DRAWING FOR FOUNDATION DETAILS
2. FIT REBAR THROUGH THE POST
3. PLACE POSTS AS PER INSTALLATION DRAWING
4. FIX POSTS TO THE FIRST POUR BY M16x180 THROUGH BOLTS
5. TIE UP FITTED REBAR TO EXISTING REINFORCEMENT
6. PLACE REBAR MESH WITH CUTOUT AS PER DRAWING AND TIE UP TO EXISTING REINFORCEMENT
7. FIT MAIN BEAM TO THE HINGE POST
8. ADJUST BEAM TO REACH THE RECEPTOR POST
9. POUR CONCRETE TO ACCEPTABLE LEVEL
10. ALLOW CONCRETE TO CURE MIN. 7 DAYS
11. ENSURE BARRIER OPERATES FREELY



ISS	DRWN	CHANGE	CHKD	APPD	DATE	CN#
1	ML	ORIGINAL	GL	GL	18/08/17	
2	ML	FOUNDATIONS REPOSITIONED	GL	GL	20/09/17	8698
3	ML	FOUNDATIONS CHANGED	GL	GL	27/11/17	8778
4	HK	MAIN BEAM MID SUPPORT ADDED	ML	GL	15/03/18	8888
5	AB	LATCH BACK POST OPTIONAL	WD	GL	10/10/2023	10930

REINFORCEMENT PARTS LIST

ITEM	TYPE	DESCRIPTION	LENGTH / SIZE (mm)	QTY	MATERIAL	MASS PER UNIT	MASS TOTAL
1	φ25	REBAR	1400	4	S235/S275	5.4 kg	21.6 kg
2	A393	REBAR MESH	2100x1400	2	S235/S275	18.83 kg	37.66 kg



**IMPACT TEST TO MATCH IWA 14
SPEC: N2A, 7200kg, 80kph**

DIMENSIONS IN MILLIMETERS

SCALE	TOLERANCES
NTS	ISO 2768-m,k

THIRD ANGLE PROJECTION

THE INFORMATION CONTAINED IN THIS DRAWING IS CONFIDENTIAL AND MAY NOT BE PASSED IN WHOLE OR IN PART TO THIRD PARTIES WITHOUT THE PERMISSION OF FRONTIER PITTS LTD.



FRONTIER-PITTS LTD
 CROMPTON HOUSE, CROMPTON WAY,
 CRAWLEY, WEST SUSSEX. RH10 9QZ
 ENGLAND
 Telephone :- 44 (0) 1293 548301
 Fax :- 44 (0) 1293 560650
 e-mail: contracts@frontierpitts.com
 web site: www.frontierpitts.com

CONTRACTOR

SITE

TERRA ULTIMATE 180

IWA14, 7.2T, 80KPH

RH INSTALLATION DETAILS

ALL ANGLES ARE PERPENDICULAR UOS
 CONSULT DESIGN OFFICE IF ROADWAY IS NOT LEVEL TO ±10mm

DRAWING NUMBER	ISSUE
6706-02	5