

ISS	DRWN	CHANGE	CHKD	APPD	DATE	CNF
1	BHW	ORIGINAL	GL	GL	30/09/2016	
2	AB	LATCH BACK POST OPTIONAL	WD	GL	10/10/2023	10930

CONCRETE SPECIFICATION
 CONCRETE TO BE A DESIGNED MIX IN ACCORDANCE WITH BS EN 206-1:2000
 CEMENT TO BS EN 197-1:2000
 MAX SIZE OF AGGREGATE - 20mm
 CONCRETE TO GRADE C-50
 MIN. CEMENT CONTENT 275KG/M³
 ALLOW CONCRETE TO CURE FOR 7 DAYS MINIMUM

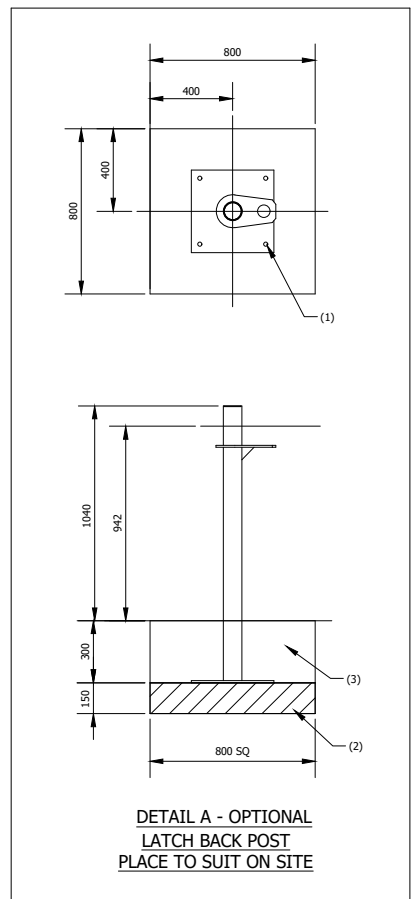
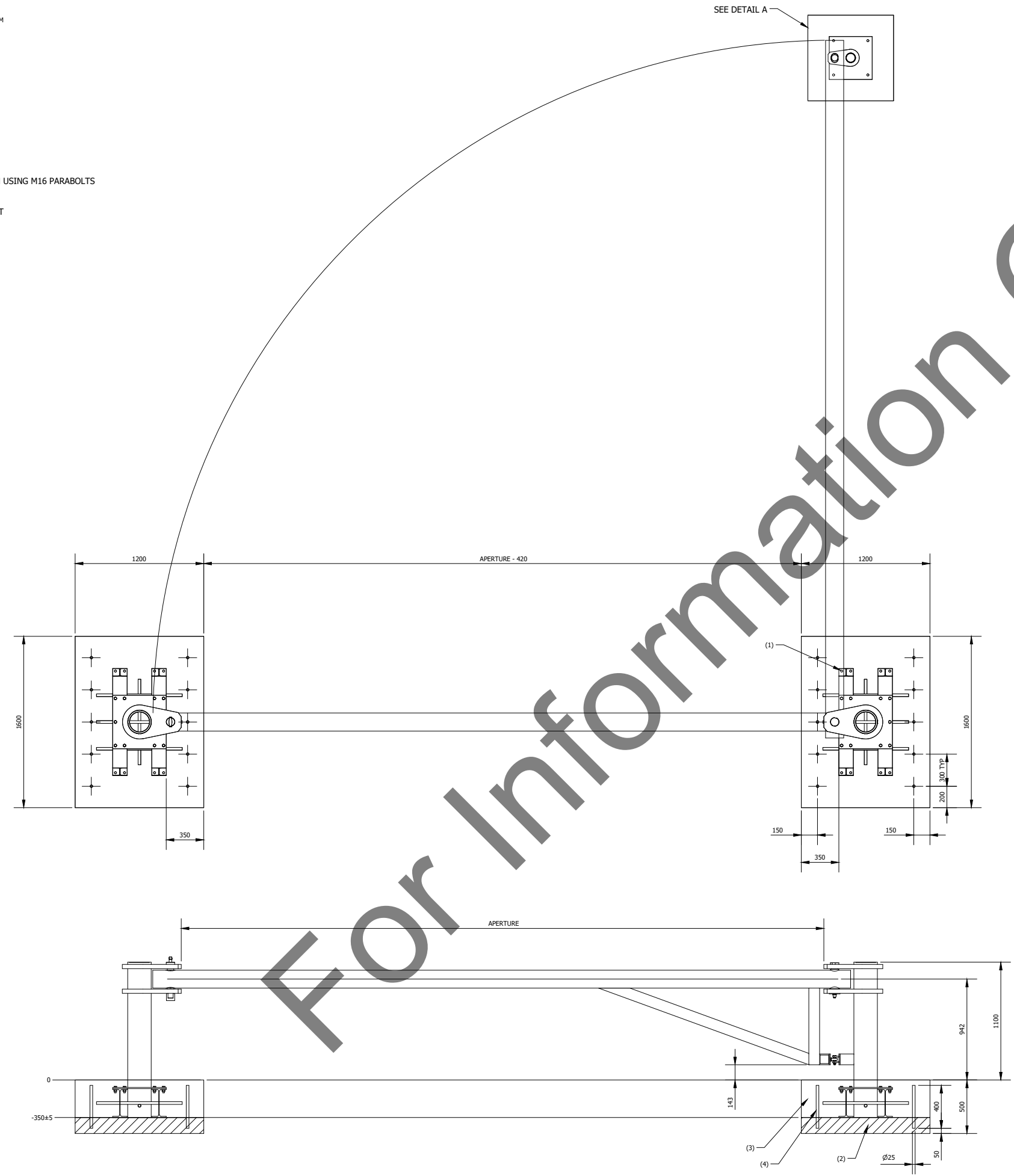
GROUND
 MINIMUM DENSITY TO BE 1400kg/m³.

BASE
 TO BE COMPACTED AND LEVEL

FINISHING SURFACE
 100mm TO CLIENT SPECIFICATION.
 IMPACT TEST TO PAS68 2013 N2 48km/h

NOTES:

- (1) FIX TO FIRST POUR FOUNDATION USING M16 PARABOLTS
- (2) FIRST POUR CONCRETE
- (3) SECOND POUR CONCRETE
- (4) 10x REINFORCING BARS PER POST



ALL DIMENSIONS IN MILLIMETERS
ALL ANGLES ARE PERPENDICULAR U.O.S

SCALE: NTS | TOLERANCES: ±1mm UOS

3RD ANGLE PROJECTION

THE INFORMATION CONTAINED IN THIS DRAWING IS CONFIDENTIAL AND MAY NOT BE PASSED IN WHOLE OR IN PART TO THIRD PARTIES WITHOUT THE WRITTEN PERMISSION OF FRONTIER PITTS LTD

FRONTIER PITTS

FRONTIER PITTS LTD
 CROMPTON HOUSE - CROMPTON WAY
 CRAWLEY - WEST SUSSEX - RH10 9QZ
 TEL: +44 (0) 1293 546 301
 FAX: +44 (0) 1293 560 560
 EMAIL: contracts@frontierpitts.com
 WEB: www.frontierpitts.com

CONTRACTOR: FP LTD

TERRA 180 SWING GATE

INSTALLATION

DRAWING NUMBER: 6705-11 | ISSUE: 2