

CONCRETE SPECIFICATION
 CONCRETE TO BE A DESIGNED MIX IN ACCORDANCE WITH BS EN 206-1:2000
 CEMENT TO BS EN 197-1:2000
 MAX SIZE OF AGGREGATE - 20mm
 CONCRETE TO GRADE C-50
 MIN. CEMENT CONTENT 275KG/M³
 ALLOW CONCRETE TO CURE FOR 7 DAYS MINIMUM

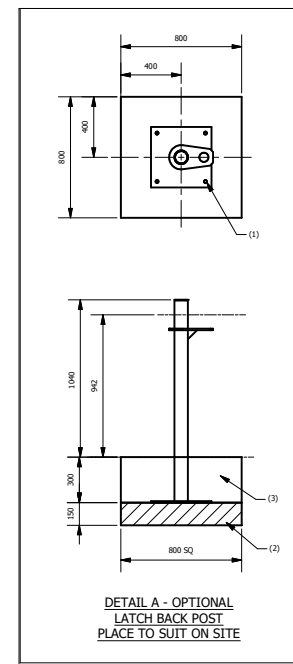
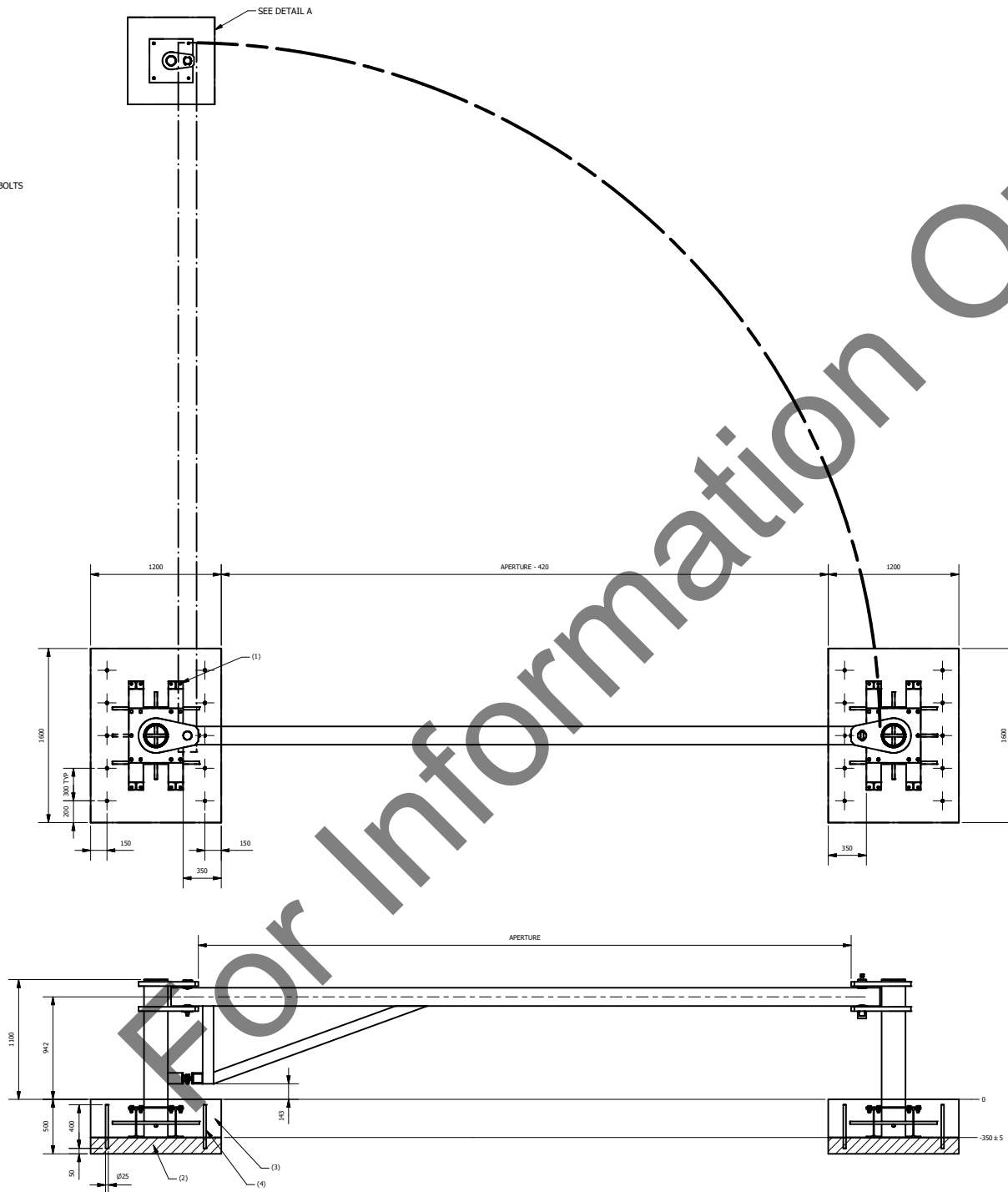
GROUND
 MINIMUM DENSITY TO BE 1400kg/m³.

BASE
 TO BE COMPACTED AND LEVEL

FINISHING SURFACE
 100mm TO CLIENT SPECIFICATION.
 IMPACT TEST TO PAS68 2013 N2 48km/h

NOTES:

- (1) FIX TO FIRST POUR FOUNDATION USING M16 PARABOLTS
- (2) FIRST POUR CONCRETE
- (3) SECOND POUR CONCRETE
- (4) 10x REINFORCING BARS PER POST



ISS	DRWN	CHANGE	CHKD	APPD	DATE	CHKD
1	AL	ORIGINAL		GL	15/10/14	2/300
2	SA	LATCH BACK POST ADDED	AL	GL	21/11/14	2/300
3	AB	LATCH BACK POST NOW OPTIONAL	WB	GL	10/10/2023	30393

ALL DIMENSIONS IN MILLIMETERS
ALL ANGLES ARE PERPENDICULAR U.O.S

SCALE	NTS	TOLERANCES	±0.1mm UDS
-------	-----	------------	------------

3RD ANGLE PROJECTION

THE INFORMATION CONTAINED IN THIS DRAWING IS CONFIDENTIAL AND MAY NOT BE PASSED BY WHOLE OR IN PART TO THIRD PARTIES WITHOUT THE WRITTEN PERMISSION OF FRONTIER PITTS LTD

FRONTIER PITTS

FRONTIER PITTS LTD
 CROMPTON HOUSE, CROMPTON WAY
 CRAWLEY, WEST SUSSEX, RH10 9QZ
 TEL: +44 (0) 1293 560 301
 FAX: +44 (0) 1293 560 560
 EMAIL: contracts@frontierpitts.com
 WEB: www.frontierpitts.com

CONTRACTOR: FP LTD

TERRA 180 SWING GATE

INSTALLATION

DRAWING NUMBER	ISSUE
6705-09	3