

1	2	3	4	5	6	7	8	9	10	IF IN DOUBT ASK			
---	---	---	---	---	---	---	---	---	----	-----------------	--	--	--

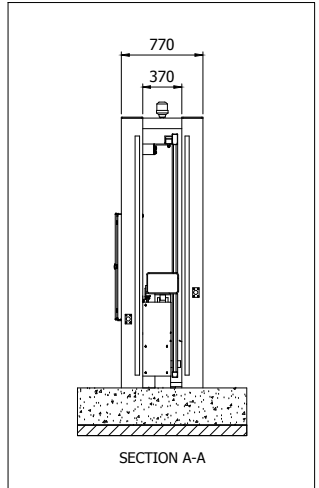
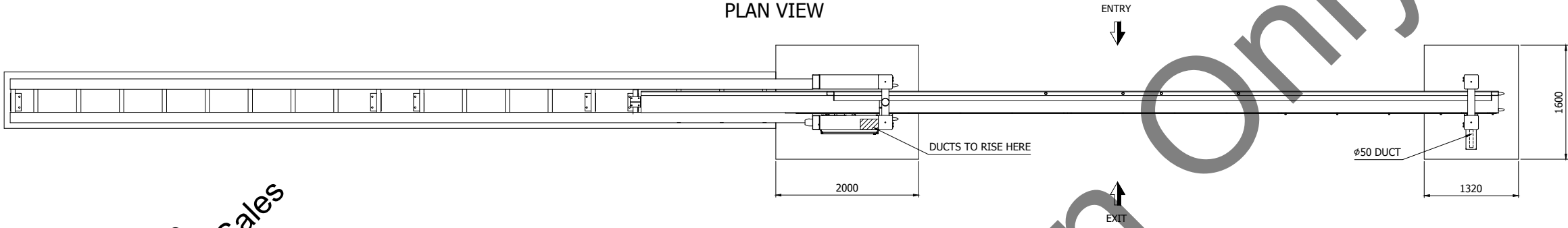
ISS	DRWN	CHANGE	CHKD	APPD	DATE	CN#
1	ML	ORIGINAL	GL	GL	09/11/16	

FOR INFORMATION ONLY
 DIMENSIONS ARE SUBJECT TO CHANGE WITHOUT NOTICE
 DO NOT INSTALL TO THIS DRAWING
 CONSULT SITE SPECIFIC DOCUMENTATION

IMPACT TEST
 IWA14 / (N2A) 7.2t / 64kph (40mph) / 90:1.8

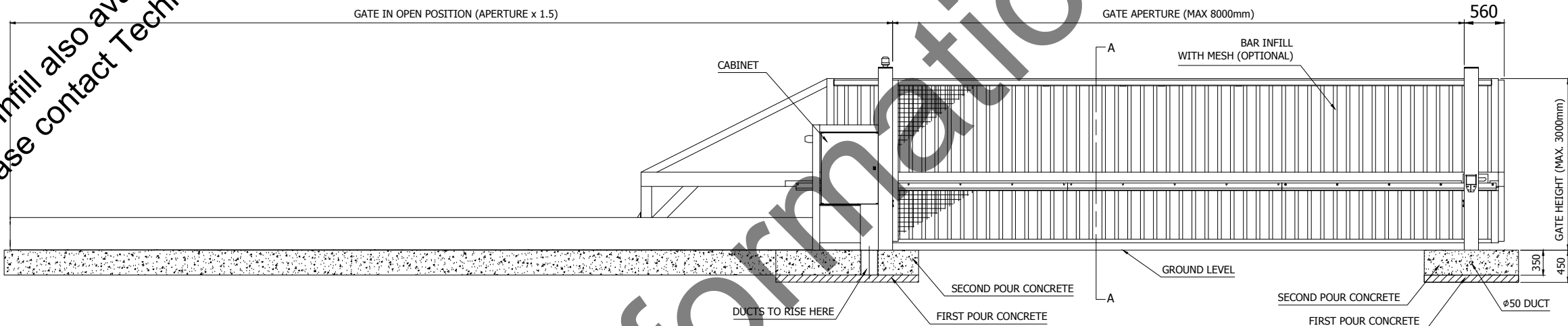
Mesh Infill also available
 Please contact Technical Sales

PLAN VIEW



GATE IN OPEN POSITION (APERTURE x 1.5)

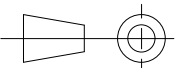
GATE APERTURE (MAX 8000mm)



VIEW FROM SECURE SIDE

DIMENSIONS IN MILLIMETERS	
SCALE	TOLERANCES
NTS	ISO 2768-m,k

THIRD ANGLE PROJECTION



THE INFORMATION CONTAINED IN THIS DRAWING IS CONFIDENTIAL AND MAY NOT BE PASSED IN WHOLE OR IN PART TO THIRD PARTIES WITHOUT THE PERMISSION OF FRONTIER PITTS LTD.



FRONTIER-PITTS LTD
 CROMPTON HOUSE, CROMPTON WAY,
 CRAWLEY, WEST SUSSEX. RH10 9QZ
 ENGLAND
 Telephone :- 44 (0) 1293 548301
 Fax :- 44 (0) 1293 560650
 e-mail: contracts@frontierpitts.com
 web site: www.frontierpitts.com

CONTRACTOR
 FP Ltd.

SITE
 RH TERRA G8 SLIDING GATE

BAR INFILL
 SALES DRAWING

DRAWING NUMBER	ISSUE
6062-00C	1

ALL ANGLES ARE PERPENDICULAR UOS
 CONSULT DESIGN OFFICE IF ROADWAY IS NOT LEVEL TO ±10mm

For Information Only