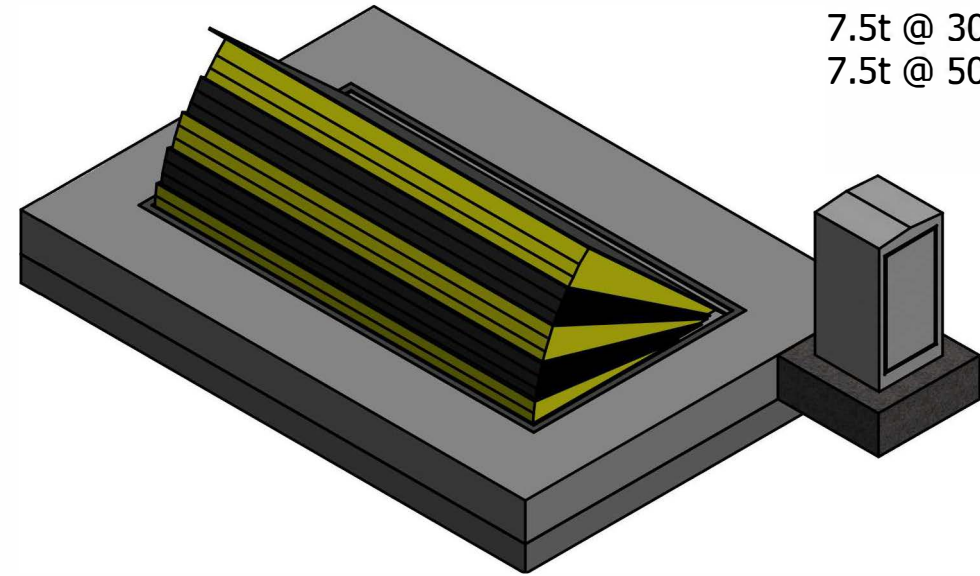
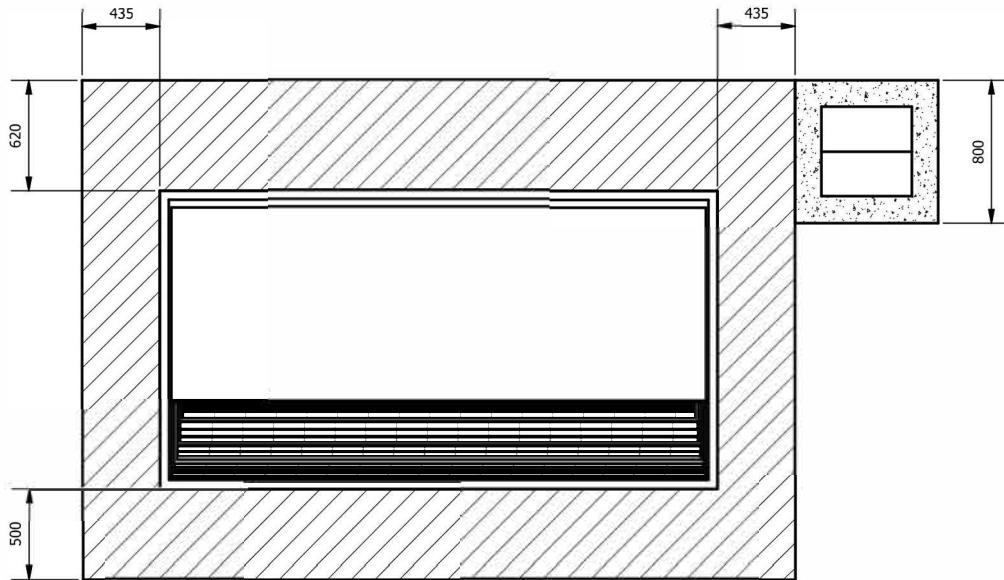


Terra Shallow Blocker MkII

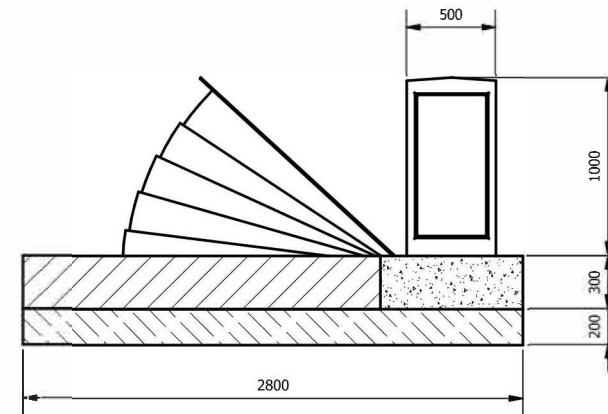
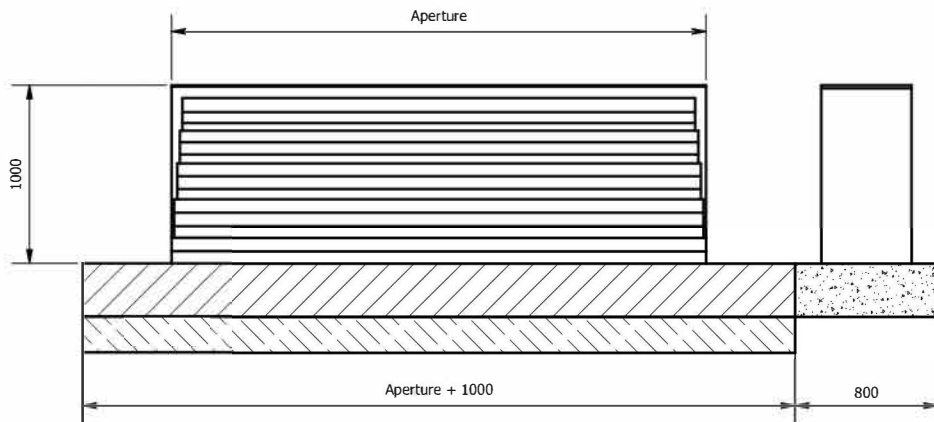
IWA 14 Impact tested
7.2T @ 80kph

Also see:

Terra Blocker
7.5t @ 30mph
7.5t @ 50mph



Control Cabinet
Position to be agreed.
Max distance 10m



**FRONTIER
PITTS**

FRONTIER PITTS LTD
CROMPTON HOUSE . CROMPTON WAY
CRAWLEY . WEST SUSSEX . RH10 9QZ
TEL: +44 (0) 1293 548 301
FAX: +44 (0) 1293 560 560
EMAIL: contracts@frontierpitts.com
WEB: www.frontierpitts.com

TITLE: Terra Shallow Blocker MkII
Installation Layout

DRAWING NUMBER: 6884-42-01 SALESv1

DRAWN: B.K NOT TO SCALE DIMENSIONS IN MM



SALES DRAWINGS
FOR INFORMATION ONLY, NOT FOR CONSTRUCTION
COPYRIGHT OF FRONTIER PITTS LTD