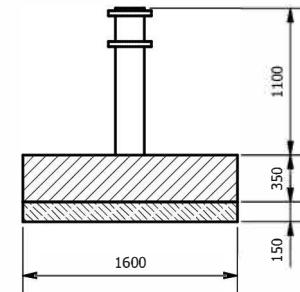
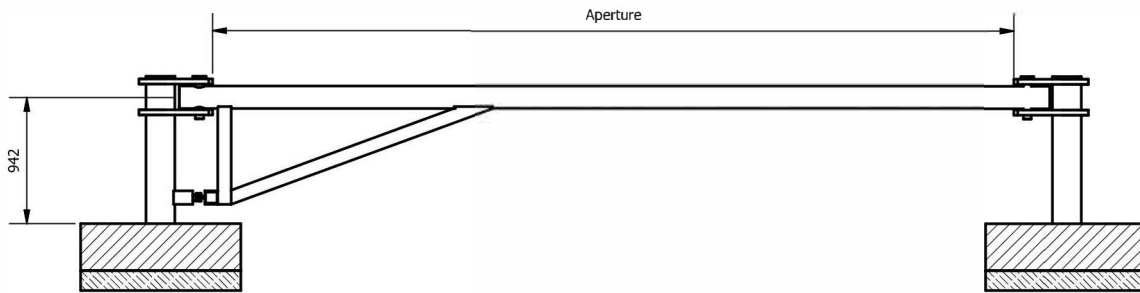
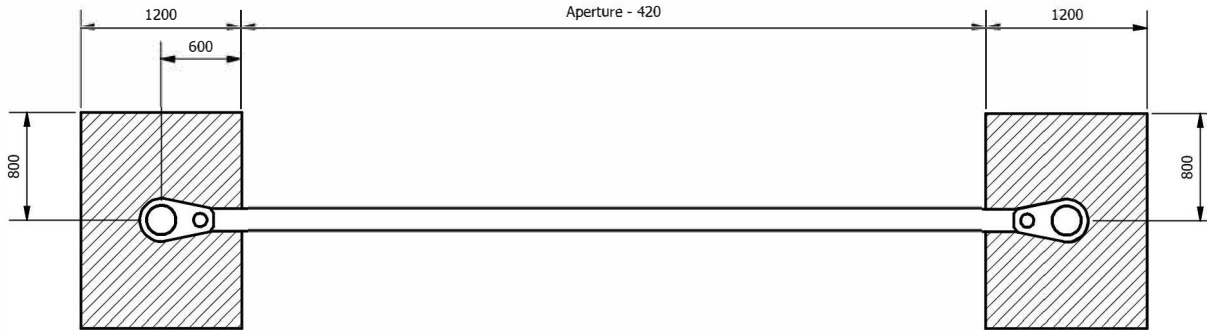
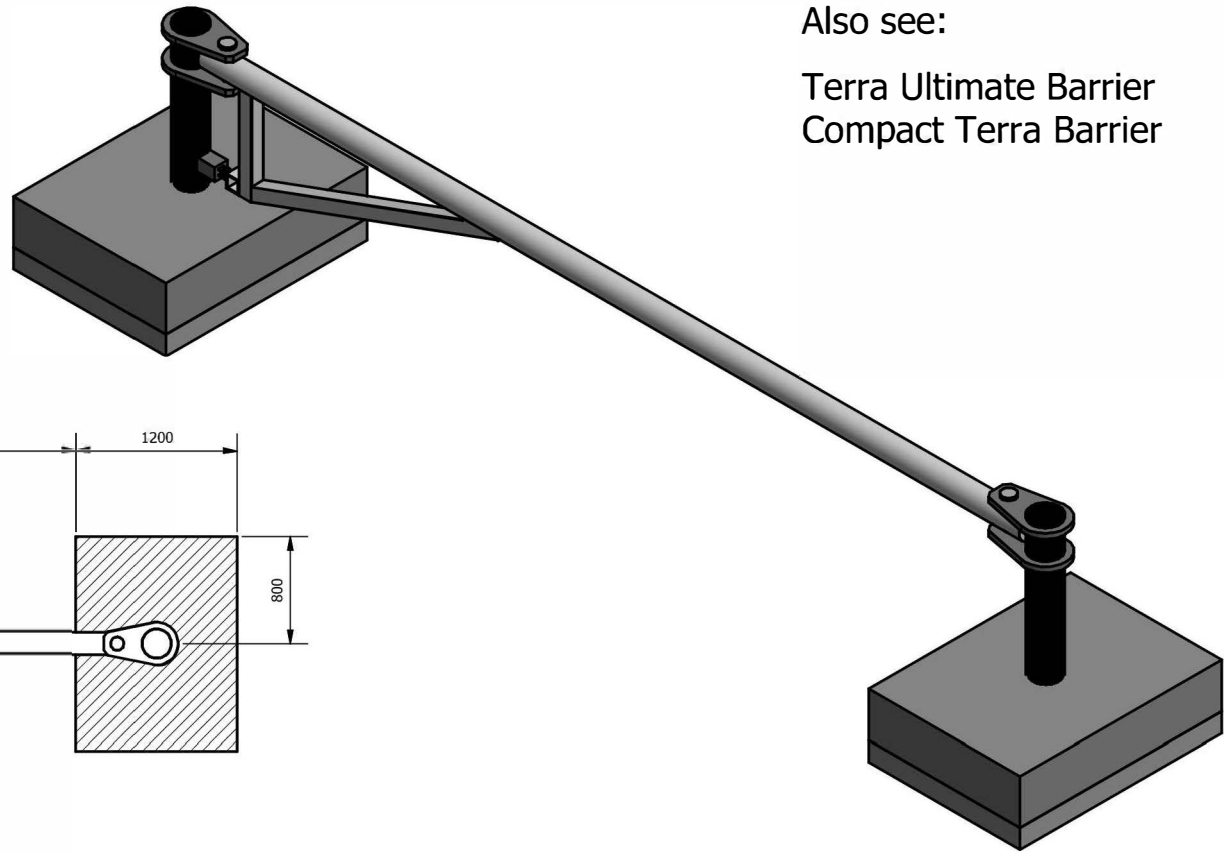


Terra 180° Swing Barrier

IWA 14 Impact tested
7.2T @ 48kph (30mph)

Also see:

Terra Ultimate Barrier
Compact Terra Barrier



SALES DRAWINGS
FOR INFORMATION ONLY, NOT FOR CONSTRUCTION
COPYRIGHT OF FRONTIER PITTS LTD



FRONTIER PITTS LTD
CROMPTON HOUSE . CROMPTON WAY
CRAWLEY . WEST SUSSEX . RH10 9QZ
TEL: +44 (0) 1293 548 301
FAX: +44 (0) 1293 560 560
EMAIL: contracts@frontierpitts.com
WEB: www.frontierpitts.com

TITLE: Terra 180° Swing Barrier
Installation Layout

DRAWING NUMBER: 6705-09-02 SALESv1

DRAWN: B.K

NOT TO SCALE DIMENSIONS IN MM