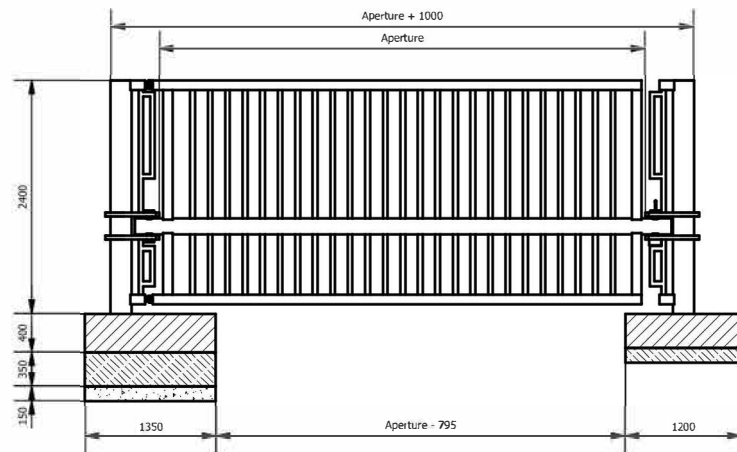
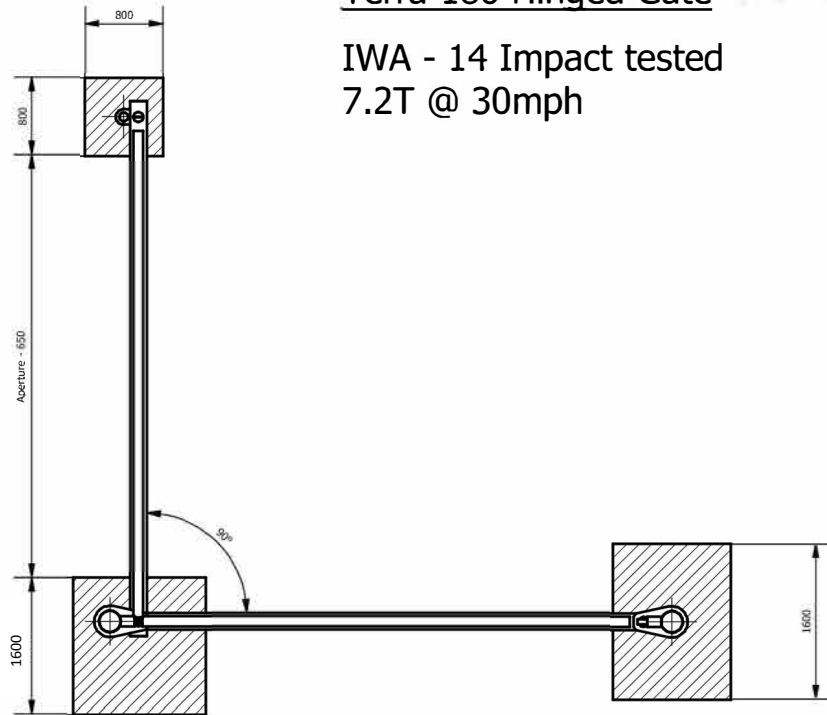


# Terra 180 Hinged Gate

IWA - 14 Impact tested  
7.2T @ 30mph

Also see:

Terra Ultimate 180 Hinged Gate



Assessed to ISO 9001:2015  
Cert/LPCB ref 1059/01



0007



**POWERED GATE GROUP**  
Membership Number 499



Official Police Security Initiative



FRONTIER PITTS LTD  
CROMPTON HOUSE . CROMPTON WAY  
CRAWLEY . WEST SUSSEX . RH10 9QZ  
TEL: +44 (0) 1293 548 301  
FAX: +44 (0) 1293 560 560  
EMAIL: [contracts@frontierpitts.com](mailto:contracts@frontierpitts.com)  
WEB: [www.frontierpitts.com](http://www.frontierpitts.com)

TITLE: Terra 180 Hinged Gate  
Installation Layout

DRAWING NUMBER: F062759-01S

DRAWN: B.K

NOT TO SCALE DIMENSIONS IN MM

SALES DRAWINGS  
FOR INFORMATION ONLY, NOT FOR CONSTRUCTION  
COPYRIGHT OF FRONTIER PITTS LTD