

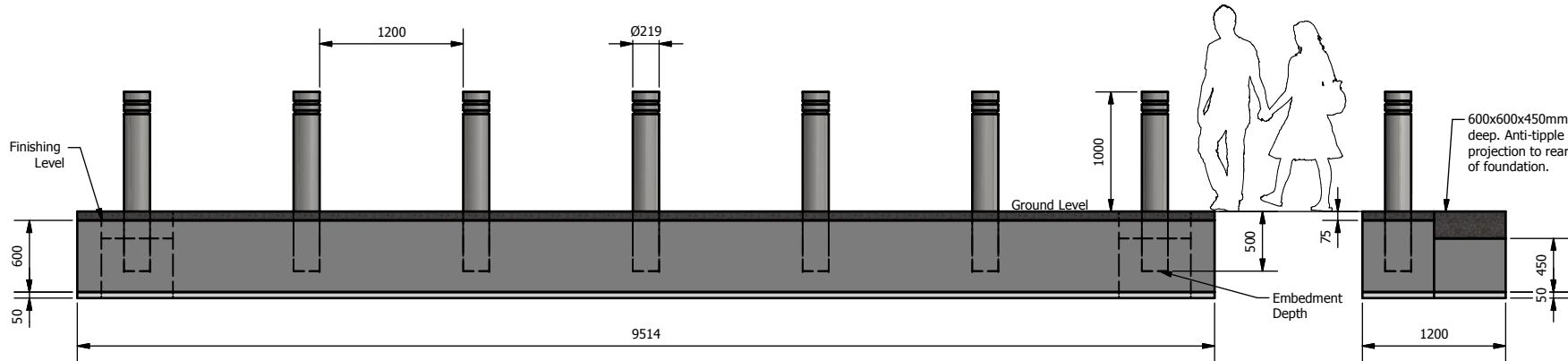
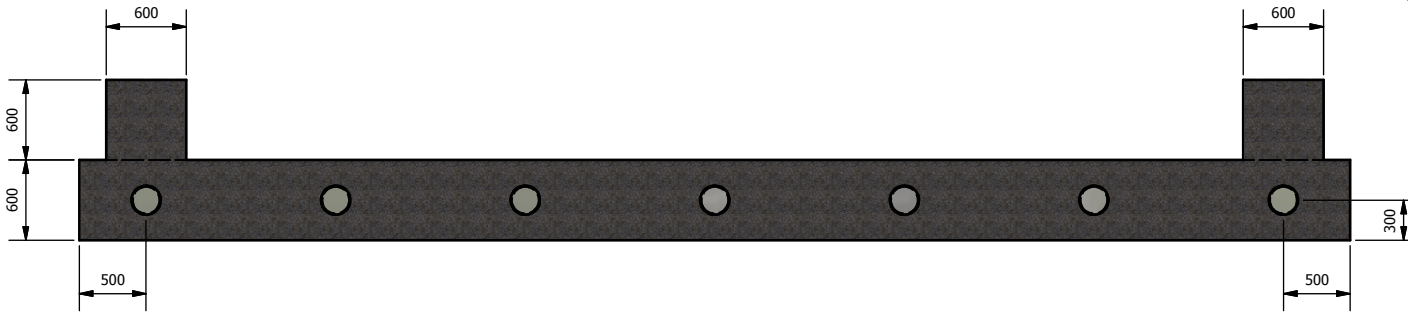
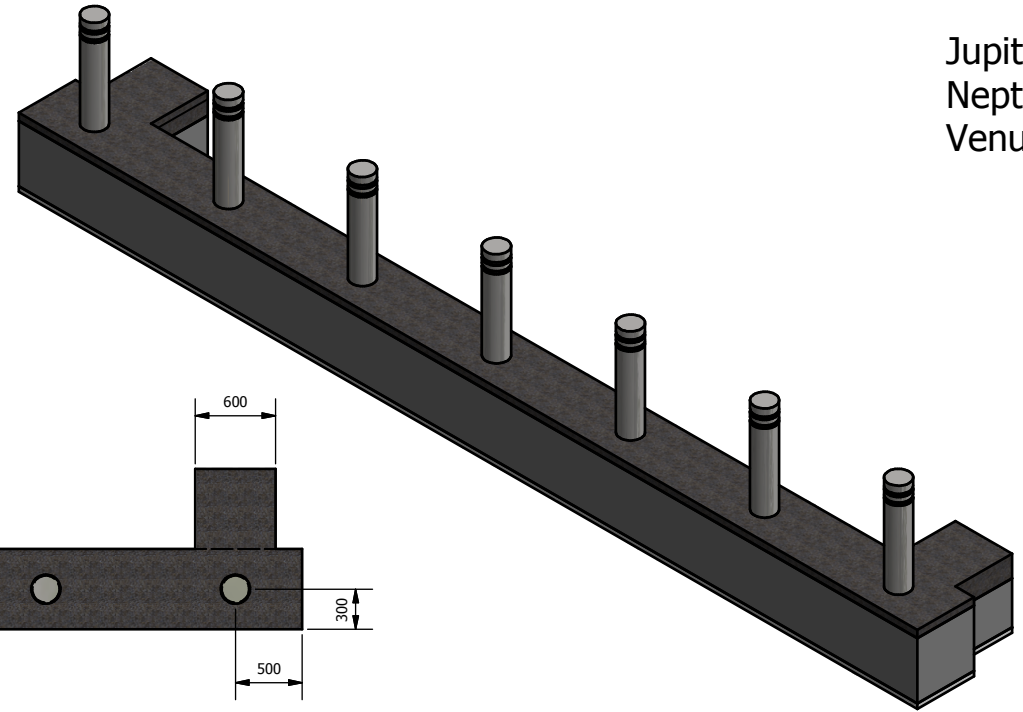
Planet Range

MARS

PAS 68 Impact Tested
7.5T @ 40mph

Also see:

Jupiter
Neptune
Venus



FRONTIER PITTS LTD
CROMPTON HOUSE . CROMPTON WAY
CRAWLEY . WEST SUSSEX . RH10 9QZ
TEL: +44 (0) 1293 548 301
FAX: +44 (0) 1293 560 560
EMAIL: contracts@frontierpitts.com
WEB: www.frontierpitts.com

TITLE: Terra MARS Bollard
Ø219 Bollard (7.5T @ 40mph)
Standard Foundation Detail

DRAWING NUMBER: 4566_000_201_A SALESv1

DRAWN: B.K NOT TO SCALE DIMENSIONS IN MM



SALES DRAWINGS
FOR INFORMATION ONLY, NOT FOR CONSTRUCTION
COPYRIGHT OF FRONTIER PITTS LTD