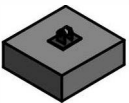
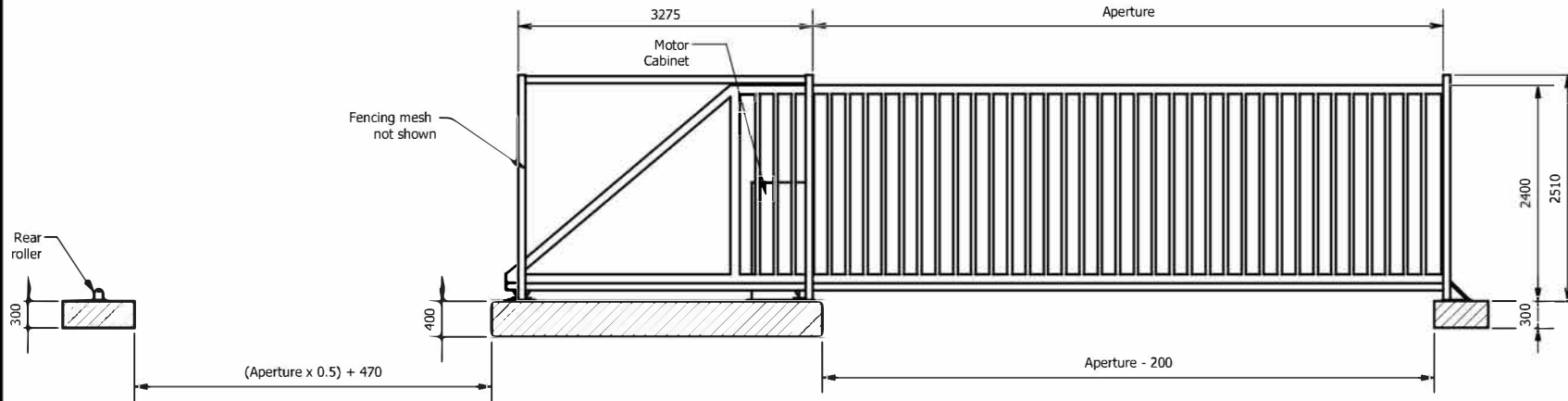
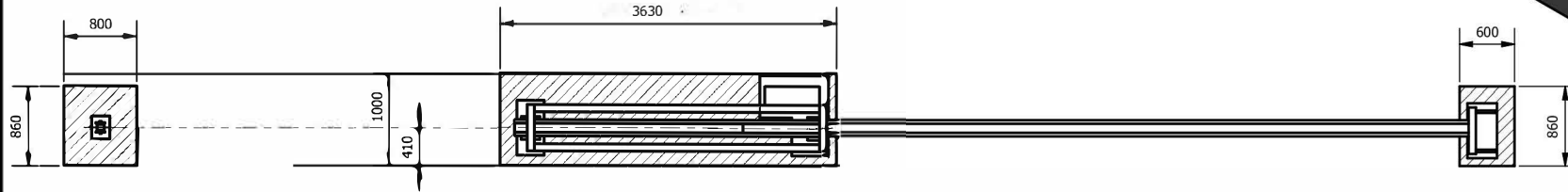
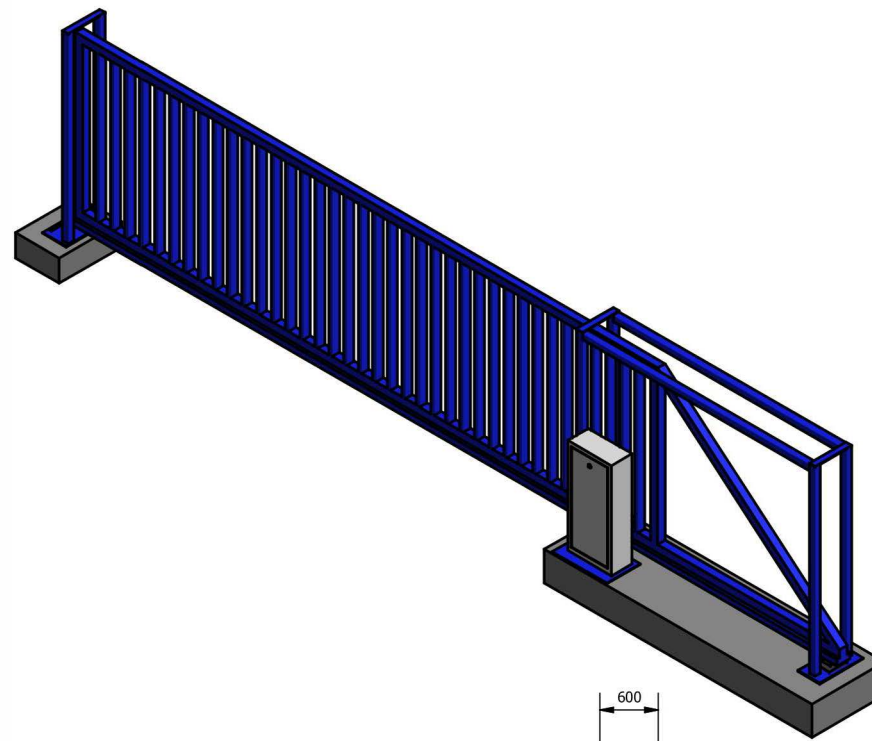


# Large Cantilevered Sliding Gate



**FRONTIER  
PITTS**

FRONTIER PITTS LTD  
CROMPTON HOUSE . CROMPTON WAY  
CRAWLEY . WEST SUSSEX . RH10 9QZ  
TEL: +44 (0) 1293 548 301  
FAX: +44 (0) 1293 560 560  
EMAIL: [contracts@frontierpitts.com](mailto:contracts@frontierpitts.com)  
WEB: [www.frontierpitts.com](http://www.frontierpitts.com)

TITLE: Large Cantilevered Sliding Gate  
Installation Layout

DRAWING NUMBER: 6030-115-01 SALESv1

DRAWN: B.K NOT TO SCALE DIMENSIONS IN MM



Assessed to ISO 9001:2015  
Cert/ LPCB ref 1059/01



SALES DRAWINGS  
FOR INFORMATION ONLY, NOT FOR CONSTRUCTION  
COPYRIGHT OF FRONTIER PITTS LTD