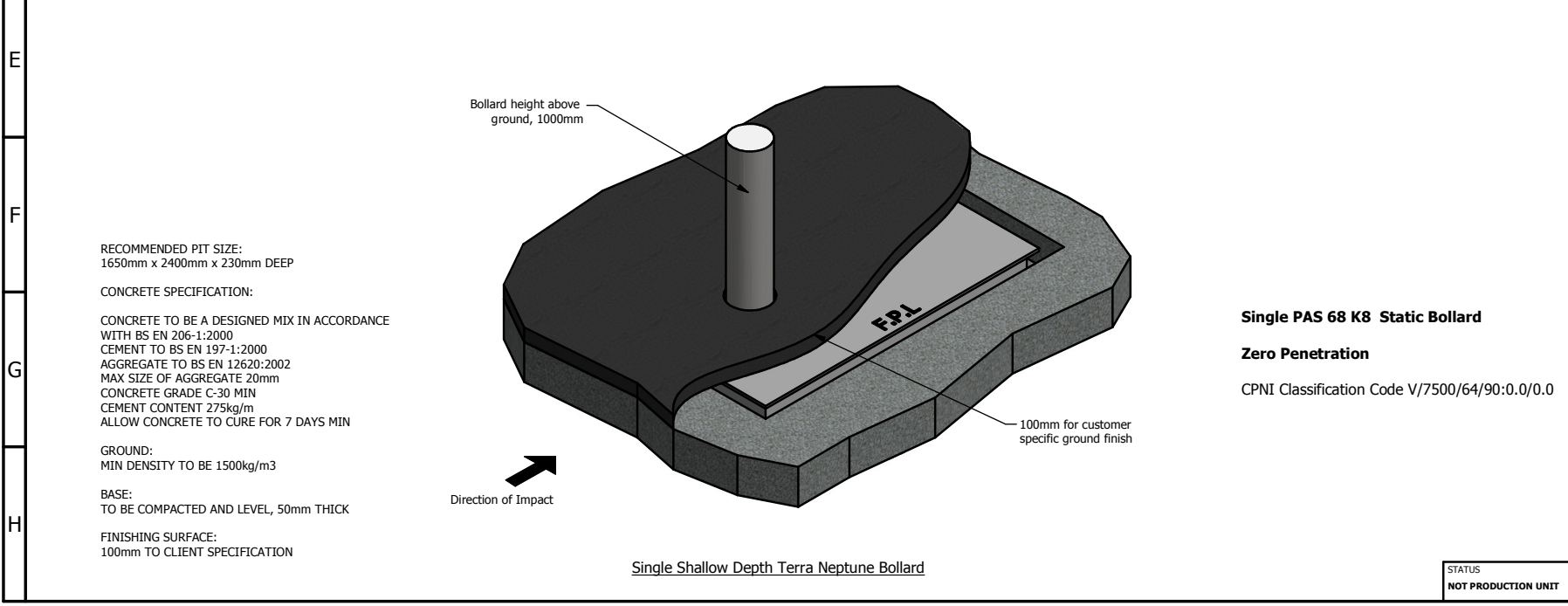


Shallow Depth Terra Neptune Bollard

Pit Requirements



Single Shallow Depth Terra Neptune Bollard

RECOMMENDED PIT SIZE:  
1650mm x 2400mm x 230mm DEEP

CONCRETE SPECIFICATION:

CONCRETE TO BE A DESIGNED MIX IN ACCORDANCE WITH BS EN 206-1:2000  
CEMENT TO BS EN 197-1:2000  
AGGREGATE TO BS EN 12620:2002  
MAX SIZE OF AGGREGATE 20mm  
CONCRETE GRADE C-30 MIN  
CEMENT CONTENT 275kg/m  
ALLOW CONCRETE TO CURE FOR 7 DAYS MIN

GROUND:  
MIN DENSITY TO BE 1500kg/m<sup>3</sup>

BASE:  
TO BE COMPACTED AND LEVEL, 50mm THICK

FINISHING SURFACE:  
100mm TO CLIENT SPECIFICATION

**Single PAS 68 K8 Static Bollard**

**Zero Penetration**

CPNI Classification Code V/7500/64/90:0.0/0.0

IF IN DOUBT, PLEASE ASK					
ISSUE	SPEC NO.	DRAWN	CHK'D	APP'D	C/N
DATE	CHANGE				
ISSUE	SPEC NO.	DRAWN	CHK'D	APP'D	C/N
DATE	CHANGE				
ISSUE	SPEC NO.	DRAWN	CHK'D	APP'D	C/N
DATE	CHANGE				
ISSUE	SPEC NO.	DRAWN	CHK'D	APP'D	C/N
DATE	CHANGE				
ISSUE	SPEC NO.	DRAWN	CHK'D	APP'D	C/N
DATE	CHANGE				
ISSUE	SPEC NO.	DRAWN	CHK'D	APP'D	C/N
DATE	CHANGE				
ISSUE	SPEC NO.	DRAWN	CHK'D	APP'D	C/N
DATE	CHANGE				
ISSUE	SPEC NO.	DRAWN	CHK'D	APP'D	C/N
DATE	CHANGE				
ISSUE	SPEC NO.	DRAWN	CHK'D	APP'D	C/N
DATE	CHANGE				
ISSUE	SPEC NO.	DRAWN	CHK'D	APP'D	C/N
DATE	CHANGE				
ISSUE	SPEC NO.	DRAWN	CHK'D	APP'D	C/N
DATE	CHANGE				
MATERIAL	FINISH				
<b>ALL DIMENSIONS IN MILLIMETERS</b>					
<b>ALL ANGLES ARE PERPENDICULAR U.O.S</b>					
SCALE	NTS		TOLERANCES ±1mm UOS		
3RD ANGLE PROJECTION					
THE INFORMATION CONTAINED IN THIS DRAWING IS CONFIDENTIAL AND MAY NOT BE PASSED IN WHOLE OR IN PART TO THIRD PARTIES WITHOUT THE WRITTEN PERMISSION OF FRONTIER PITTS LTD					
APP'D	DATE				
CHK'D	DATE				
DRAWN:	B.K		DATE: 03/02/2014		
FRONTIER PITTS LTD CROMPTON HOUSE - CROMPTON WAY CRAWLEY - WEST SUSSEX - RH10 9QZ TEL: +44 (0) 1293 548 301 FAX: +44 (0) 1293 560 560 EMAIL: <a href="mailto:contracts@frontierpitts.com">contracts@frontierpitts.com</a> WEB: <a href="http://www.frontierpitts.com">www.frontierpitts.com</a>					
CONTRACTOR					
SITE					
Shallow Depth Terra Neptune Bollard Single Isometric View					
STATUS	DRAWING NUMBER		ISSUE		
NOT PRODUCTION UNIT			1		