

MANUAL TERRA QUANTUM BOLLARD



Pictured here as a Dual Terra Quantum Bollard system

BENEFITS & FEATURES

- The Terra Quantum Bollard Innovative Direction of Travel - Side Folding Bollard uniquely raises and lowers.
- The Retractable Bollard is twinned with a static unit and is manually operated.
- Each bollard has a manual hydraulic power unit including hydraulic reservoir; manual hand pump and manual release valve within the bollard enclosure.
- Bollard lid has a gas strut and handle to assist with lifting and a mechanical lock.
- The bollard has a padlockable locking pin within the bollard enclosure.
- 2no. Terra Quantum Bollards back to back form a 4m clear aperture.
- The Terra Quantum Bollard can be retrofitted into an existing line of PAS 68 static bollards to provide an HVM access point.
- Control cabinet or self contained unit depending on configuration

OPTIONS

- 100/200mm Traffic Light System

FINISH OPTIONS

- Polyester Powder Coated
- Stainless Steel Clad

CIVIL REQUIREMENTS

L: 2350 x W: 1000 x D: 450

Control Cabinet Foundation (if required)

L: 800 x W: 800 x D: 300

Note: Power and control wiring ducts may be required

* Depending on configuration

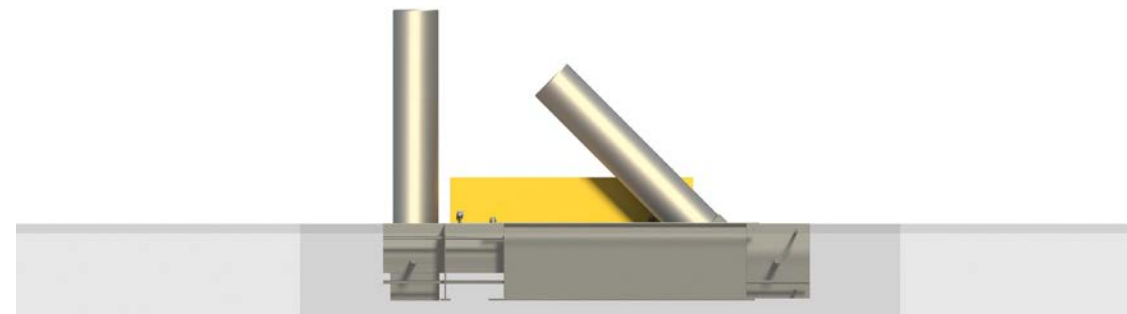
** This is subject to a risk assessment to ensure the automatic equipment complies to BS EN 12453



The Innovative Side Folding HVM Bollard has been successfully impact tested to PAS 68 with 7.5t @ 30mph.

- PAS 68 Terra Quantum Bollard 7.5t @ 30mph
- V/7500[N2]/48/90:0.0/1.5

Tested dimensions: lift height 925mm



Applications: Sites with limited foundation depths that requires a PAS68 restriction on vehicle access whilst allowing free passage by pedestrians



PSSA
Verification Scheme



+44(0) 1293 422800
sales@frontierpitts.com
www.frontierpitts.com